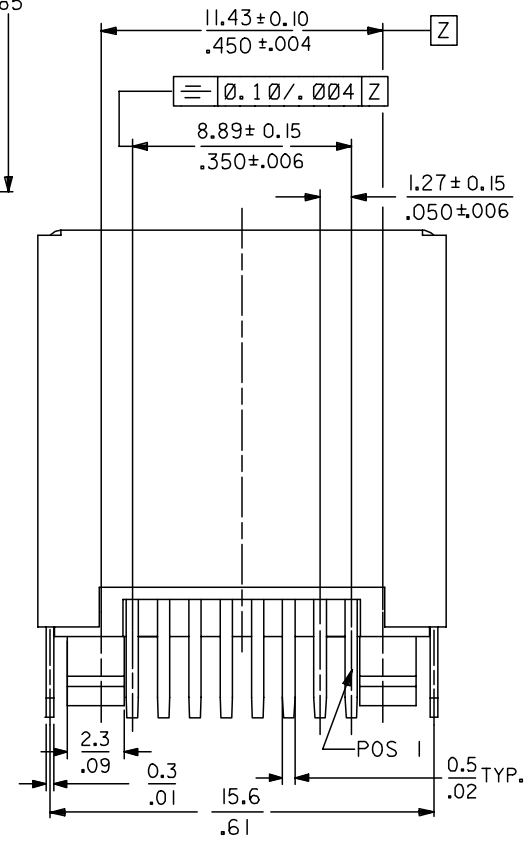
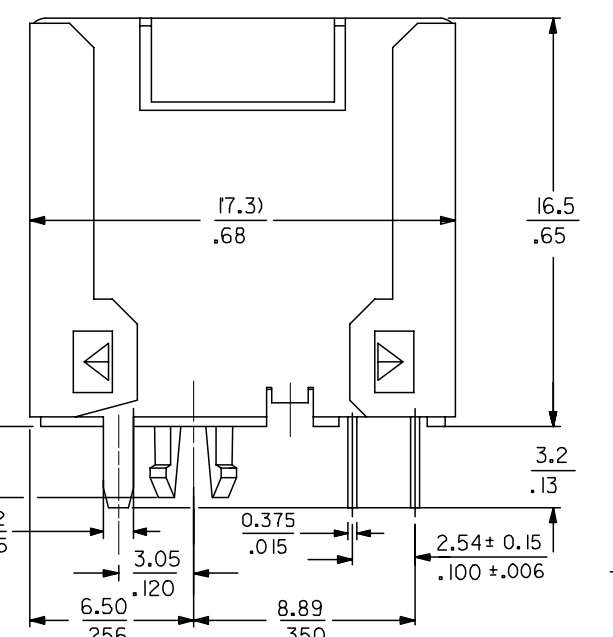
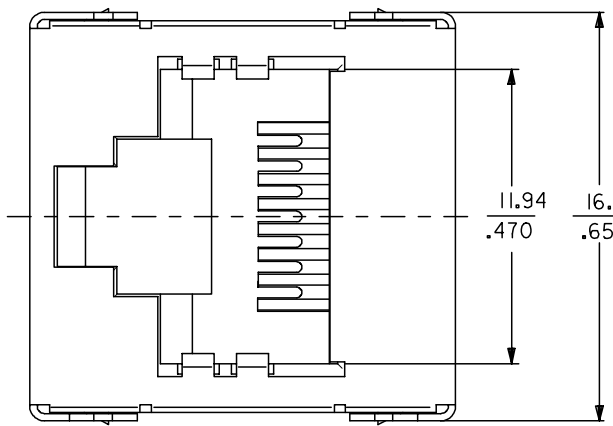
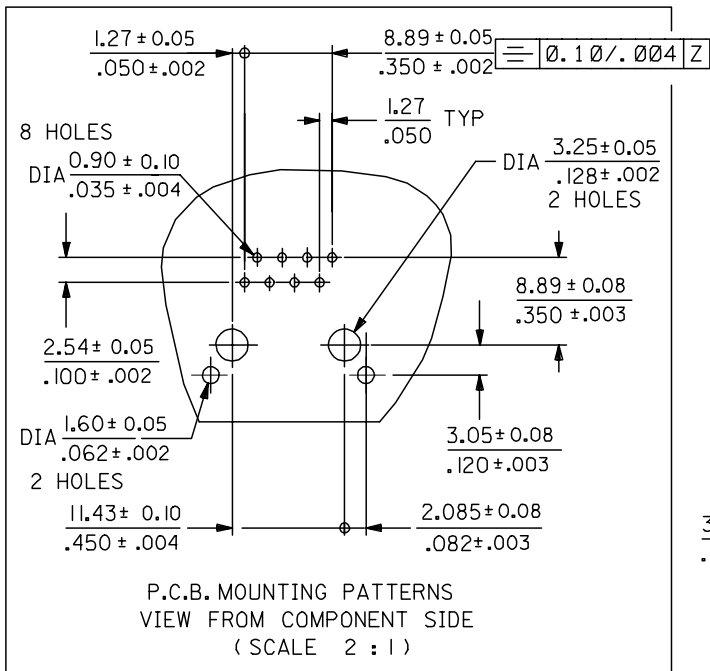


**TECHNICAL SPECIFICATIONS:**

I- MATERIAL: HOUSING: LCP G.F. UL94V0  
 COLOR : BLACK  
 TERMINAL : PHOSPHOR BRONZE PLATED WITH  
 0.00127-0.00152/.000050-.000060 GOLD  
 IN CONTACT AREA , 0.00190/.000075 MIN  
 PURE TIN IN TAIL AREA BOTH OVER  
 0.00127/.000050 MIN NICKEL OVERALL  
 SHIELD : BRASS PLATED WITH 0.0020/.000078  
 MIN TIN

PART NUMBER	TOOLED	PCB THICKNESS
85508-5001	YES	1.57/.062



**NOTES :**

- 1- JACK FOR MATING WITH F.C.C. 68 PLUGS 95043 MOLEX SERIES.
- 2- PRODUCT SPECIFICATION: MOLEX PS-85508-001.
- 3- APPLICATION SPECIFICATION: AS-85513-001
- 4- PACKAGING SPECIFICATION: MOLEX PK-95123.
- 5- EXCEEDS CATEGORY 5E PERFORMANCE.

UPDATED PROD SPEC	2007/06/26
EC NO: E2007-1035	2007/06/26
DRWN:DBYRNES	2007/06/26
CHKD:	
APPR:EOMAHONY	2007/07/09

QUALITY SYMBOLS	▽=0
	▽=0

GENERAL TOLERANCES (UNLESS SPECIFIED)	DIMENSION STYLE MM ONLY	
	mm	INCH
4 PLACES	± ---	± ---
3 PLACES	± ---	± .010
2 PLACES	± 0.25	± .014
1 PLACE	± 0.35	± ---
ANGULAR ± 2 °		
DRAFT WHERE APPLICABLE MUST REMAIN WITHIN DIMENSIONS		

DRAWN BY	DATE
DBYRNES	2006/11/14
CHECKED BY	DATE
EOMAHONY	2006/11/16
APPROVED BY	DATE
EOMAHONY	2006/11/16
MATERIAL NO.	85508-5001

SCALE	DESIGN UNITS	THIRD ANGLE PROJECTION
5:1	METRIC	
TITLE		
HIGH SPEED MODULAR JACK TOP ENTRY 8 CKTS THROUGH HOLE VERSION		
MOLEX INCORPORATED		
DOCUMENT NO.	SHEET NO.	
SD-85508-501	1 OF 1	
THIS DRAWING CONTAINS INFORMATION THAT IS PROPRIETARY TO MOLEX INCORPORATED AND SHOULD NOT BE USED WITHOUT WRITTEN PERMISSION		